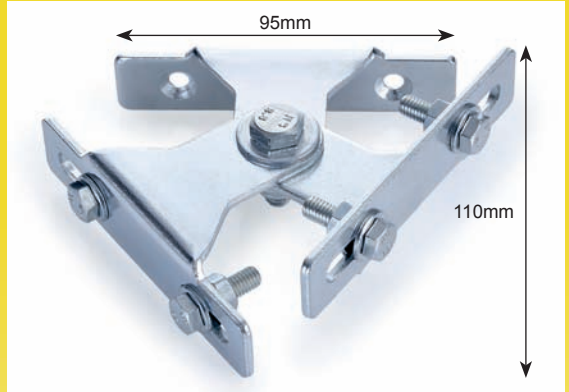
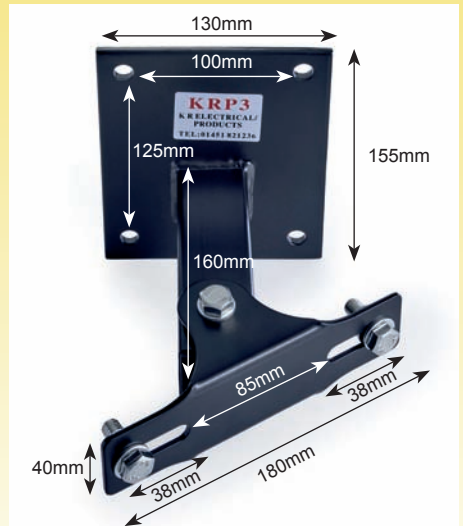


KRP2



Swivel bracket to carry two 10W LED floodlights, 150W / 500W enclosed floodlights either wall, pole or corner mounted
Wall Mounted: Fit floodlights directly onto the KRP2
Corner Mounted: Fit a KRP2 onto a KRP5
Pole Mounted: Fit a KRP2 on to a KRP4U
Supplied with fixings
Finish: Zinc Plated

KRP3



Swivel bracket to carry one 30-100W floodlight, 70-400W Son type/metal halide fitting
Wall mounted
Supplied with fixings
Finish: Black Powder Coated